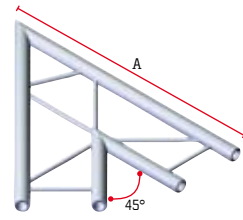
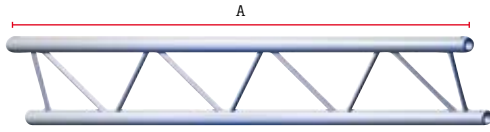


Junctions for M222 /M290 /M390



STRAIGHTS

weight of 1 m/kg	BTM = 1,70	BTB = 3,0	BTV = 3,30	BTK = 3,45	BTL = 3,80
weight of 3,28 ft/lbs	BTM = 3,74	BTB = 6,61	BTV = 7,27	BTK = 7,60	BTL = 8,37

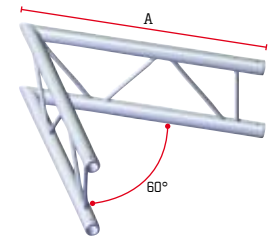
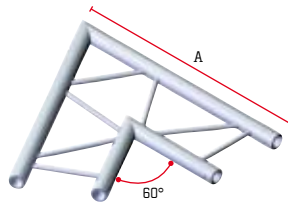
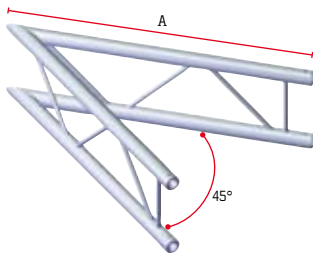
Series	Code	length m (ft)							
		0,5 (1,64)	1 (3,28)	1,5 (4,92)	2 (6,56)	2,5 (8,20)	3 (9,84)	4 (13,12)	5 (16,4)
M222	BTM	500	1000	1500	2000	2500	3000	4000	-
M290	BTB/BTV	500	1000	1500	2000	2500	3000	4000	5000
M390	BTK/BTL	500	1000	1500	2000	2500	3000	4000	5000

For Code: add range and length = BTM 500 or BTV 3000 etc.

2 WAY HORIZONTAL CORNER 45°

Series	Code	A	B	C	Kg
M222	HM 19	800	-	-	1,8
M290	HB/HV 19	1000	-	-	3,0
M390	HK/HL 19	1200	-	-	3,4

for inch (mm • 25,4 = inch) • kg • 2,204 = lbs)



2 WAY VERTICAL CORNER 45°

Series	Code	A	B	C	Kg
M222	VM 19	800	-	-	1,8
M290	VB/VV 19	1000	-	-	3,0
M390	VK/VL 19	1200	-	-	3,4

for inch (mm • 25,4 = inch) • kg • 2,204 = lbs)

2 WAY HORIZONTAL CORNER 60°

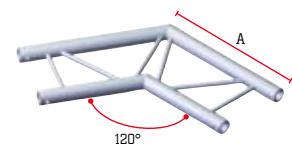
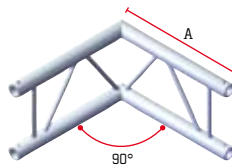
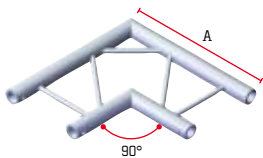
Series	Code	A	B	C	Kg
M222	HM 20	600	-	-	1,6
M290	HB/HV 20	800	-	-	2,8
M390	HK/HL 20	1000	-	-	3,4

for inch (mm • 25,4 = inch) • kg • 2,204 = lbs)

2 WAY VERTICAL CORNER 60°

Series	Code	A	B	C	Kg
M222	VM 20	600	-	-	1,6
M290	VB/VV 20	800	-	-	2,8
M390	VK/VL 20	1000	-	-	3,4

for inch (mm • 25,4 = inch) • kg • 2,204 = lbs)



2 WAY HORIZONTAL CORNER 90°

Series	Code	A	B	C	Kg
M222	HM 21	400	-	-	1,6
M290	HB/HV 21	500	-	-	2,4
M390	HK/HL 21	600	-	-	3,0

for inch (mm • 25,4 = inch) • kg • 2,204 = lbs)

2 WAY VERTICAL CORNER 90°

Series	Code	A	B	C	Kg
M222	VM 21	400	-	-	1,6
M290	VB/VV 21	500	-	-	2,4
M390	VK/VL 21	600	-	-	3,0

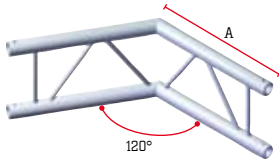
for inch (mm • 25,4 = inch) • kg • 2,204 = lbs)

2 WAY HORIZONTAL CORNER 120°

Series	Code	A	B	C	Kg
M222	HM 22	400	-	-	1,6
M290	HB/HV 22	500	-	-	2,4
M390	HK/HL 22	600	-	-	3,0

for inch (mm • 25,4 = inch) • kg • 2,204 = lbs)

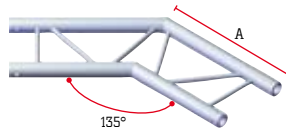
Junctions for M222/M290/M390



2 WAY VERTICAL CORNER 120°

Series	Code	A	B	C	Kg
M222	VM 22	400	-	-	1,6
M290	VB/VV 22	500	-	-	2,4
M390	VK/VL 22	600	-	-	3,0

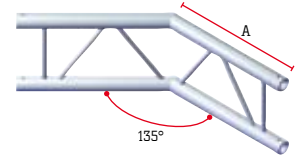
for inch (mm + 25,4 = inch) • kg • 2,204 = lbs)



2 WAY HORIZONTAL CORNER 135°

Series	Code	A	B	C	Kg
M222	HM 23	400	-	-	1,6
M290	HB/HV 23	500	-	-	2,4
M390	HK/HL 23	600	-	-	3,0

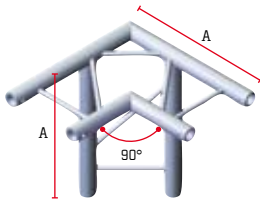
for inch (mm + 25,4 = inch) • kg • 2,204 = lbs)



2 WAY VERTICAL CORNER 135°

Series	Code	A	B	C	Kg
M222	VM 23	400	-	-	1,6
M290	VB/VV 23	500	-	-	2,4
M390	VK/VL 23	600	-	-	3,0

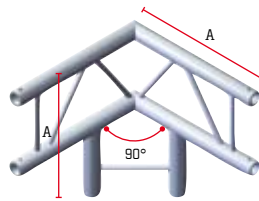
for inch (mm + 25,4 = inch) • kg • 2,204 = lbs)



3 WAY HORIZONTAL CORNER 90°
LEG DOWN

Series	Code	A	B	C	Kg
M222	HM 31	400	-	-	1,8
M290	HB/HV 31	500	-	-	4,2
M390	HK/HL 31	600	-	-	4,8

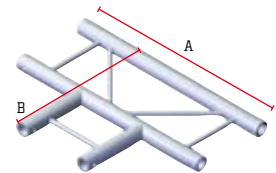
for inch (mm + 25,4 = inch) • kg • 2,204 = lbs)



3 WAY VERTICAL CORNER 90°
LEG DOWN

Series	Code	A	B	C	Kg
M222	VM 31	400	-	-	1,8
M290	VB/VV 31	500	-	-	4,2
M390	VK/VL 31	600	-	-	4,8

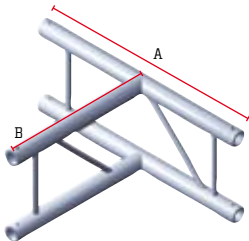
for inch (mm + 25,4 = inch) • kg • 2,204 = lbs)



3 WAY HORIZONTAL TEE PIECE

Series	Code	A	B	C	Kg
M222	HM 35	578	400	-	1,8
M290	HB/HV 35	710	500	-	4,2
M390	HK/HL 35	810	600	-	4,8

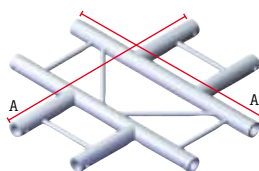
for inch (mm + 25,4 = inch) • kg • 2,204 = lbs)



3 WAY VERTICAL TEE PIECE

Series	Code	A	B	C	Kg
M222	VM 36	578	400	-	1,8
M290	VB/VV 36	710	500	-	4,2
M390	VK/VL 36	810	600	-	4,8

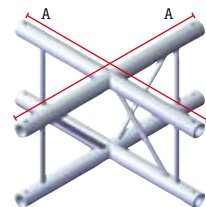
for inch (mm + 25,4 = inch) • kg • 2,204 = lbs)



4 WAY HORIZONTAL CROSS PIECE

Series	Code	A	B	C	Kg
M222	HM 41	578	-	-	2,0
M290	HB/HV 41	710	-	-	4,2
M390	HK/HL 41	810	-	-	4,8

for inch (mm + 25,4 = inch) • kg • 2,204 = lbs)

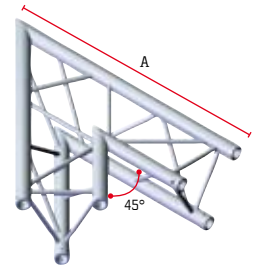
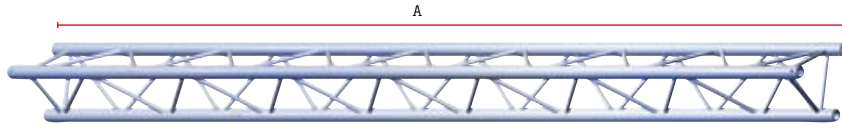


4 WAY VERTICAL CROSS PIECE

Series	Code	A	B	C	Kg
M222	VM 41	578	-	-	2,0
M290	VB/VV 41	710	-	-	4,2
M390	VK/VL 41	810	-	-	4,8

for inch (mm + 25,4 = inch) • kg • 2,204 = lbs)

Junctions for M222 /M290 /M390



STRAIGHTS

weight of 1 m/kg	STM = 2,30	STB = 4,50	STV = 5,00	STK = 4,95	STL = 5,75
weight of 3,28 ft/lbs	STM = 5,01	STB = 9,92	STV = 11,0	STK = 10,9	STL = 12,7

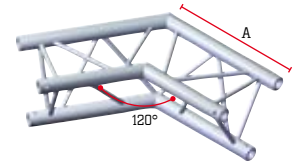
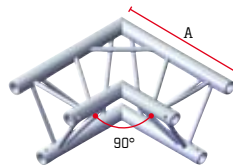
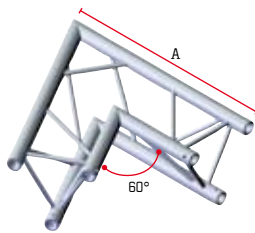
Series	Code	length m (ft)							
		0,5 (1,64)	1 (3,28)	1,5 (4,92)	2 (6,56)	2,5 (8,20)	3 (9,84)	4 (13,12)	5 (16,4)
M222	STM	500	1000	1500	2000	2500	3000	4000	-
M290	STB/STV	500	1000	1500	2000	2500	3000	4000	5000
M390	STK/STL	500	1000	1500	2000	2500	3000	4000	5000

For Code: add range and length = STM 500 or STV 3000 etc.

2 WAY CORNER 45°

Series	Code	A	B	C	Kg
M222	ACM 19	800	-	-	2,5
M290	ACB/ACV 19	1000	-	-	6,0
M390	ACK/ACL 19	1200	-	-	6,9

for inch (mm + 25,4 = inch) • kg • 2.204 = lbs



2 WAY CORNER 60°

Series	Code	A	B	C	Kg
M222	ACM 20	600	-	-	2,3
M290	ACB/ACV 20	800	-	-	5,5
M390	ACK/ACL 20	1000	-	-	6,9

for inch (mm + 25,4 = inch) • kg • 2.204 = lbs

2 WAY CORNER 90°

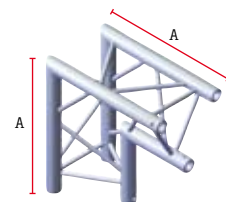
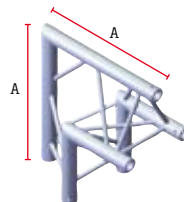
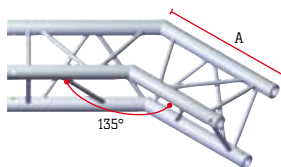
Series	Code	A	B	C	Kg
M222	ACM 21	400	-	-	2,2
M290	ACB/ACV 21	500	-	-	4,8
M390	ACK/ACL 21	600	-	-	5,2

for inch (mm + 25,4 = inch) • kg • 2.204 = lbs

2 WAYCORNER 120°

Series	Code	A	B	C	Kg
M222	ACM 22	400	-	-	2,3
M290	ACB/ACV 22	500	-	-	4,8
M390	ACK/ACL 22	600	-	-	5,4

for inch (mm + 25,4 = inch) • kg • 2.204 = lbs



2 WAY CORNER 135°

Series	Code	A	B	C	Kg
M222	ACM 23	400	-	-	2,3
M290	ACB/ACV 23	500	-	-	4,8
M390	ACK/ACL 23	600	-	-	5,4

for inch (mm + 25,4 = inch) • kg • 2.204 = lbs

2 WAY CORNER 90° APEX OUT

Series	Code	A	B	C	Kg
M222	ACM 24	400	-	-	2,2
M290	ACB/ACV 24	500	-	-	4,8
M390	ACK/ACL 24	600	-	-	5,2

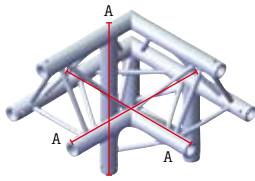
for inch (mm + 25,4 = inch) • kg • 2.204 = lbs

2 WAY CORNER 90° APEX IN

Series	Code	A	B	C	Kg
M222	ACM 25	400	-	-	2,2
M290	ACB/ACV 25	500	-	-	4,8
M390	ACK/ACL 25	600	-	-	5,2

for inch (mm + 25,4 = inch) • kg • 2.204 = lbs

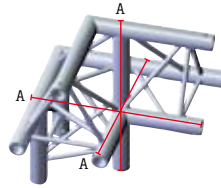
Junctions for M222/M290/M390



3 WAY CORNER 90°
APEX UP RIGHT

Series	Code	A	B	C	kg
M222	ALM 31	400	-	-	2,9
M290	ALB/ALV 31	500	-	-	7,2
M390	ALK/ALL 31	600	-	-	8,1

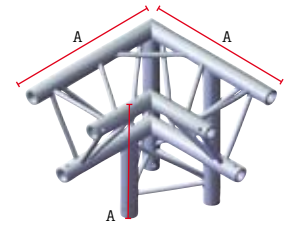
for inch (mm + 25,4 = inch) • kg • 2.204 = lbs



3 WAY CORNER 90°
APEX UP LEFT

Series	Code	A	B	C	kg
M222	ALM 32	400	-	-	2,9
M290	ALB/ALV 32	500	-	-	7,2
M390	ALK/ALL 32	600	-	-	8,1

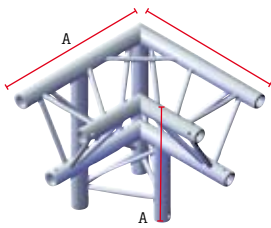
for inch (mm + 25,4 = inch) • kg • 2.204 = lbs



3WAY CORNER 90°
APEX DOWN RIGHT

Series	Code	A	B	C	kg
M222	ALM 33	400	-	-	2,9
M290	ALB/ALV 33	500	-	-	7,2
M390	ALK/ALL 33	600	-	-	8,1

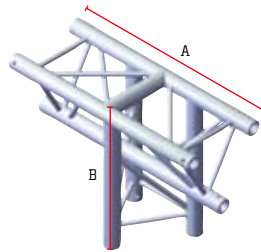
for inch (mm + 25,4 = inch) • kg • 2.204 = lbs



3 WAY CORNER 90°
APEX DOWN LEFT

Series	Code	A	B	C	kg
M222	ALM 34	400	-	-	2,9
M290	ALB/ALV 34	500	-	-	7,2
M390	ALK/ALL 34	600	-	-	8,1

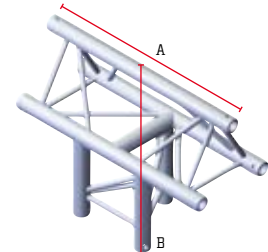
for inch (mm + 25,4 = inch) • kg • 2.204 = lbs



3 WAY VERTICAL TEE APEX DOWN

Series	Code	A	B	C	kg
M222	ATM 35	578	400	-	2,9
M290	ATB/ATV 35	710	500	-	7,2
M390	ATK/ATL 35	810	600	-	8,1

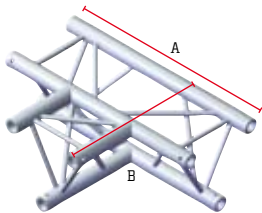
for inch (mm + 25,4 = inch) • kg • 2.204 = lbs



3 WAY VERTICAL TEE APEX UP

Series	Code	A	B	C	kg
M222	ATM 35B	578	400	-	2,9
M290	ATB/ATV 35B	710	500	-	7,2
M390	ATK/ATL 35B	810	600	-	8,1

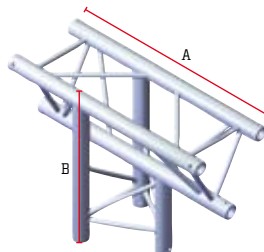
for inch (mm + 25,4 = inch) • kg • 2.204 = lbs



3 WAY HORIZONTAL TEE PIECE

Series	Code	A	B	C	kg
M222	ATM 36	578	400	-	2,9
M290	ATB/ATV 36	710	500	-	7,2
M390	ATK/ATL 36	810	600	-	8,1

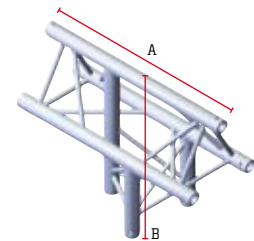
for inch (mm + 25,4 = inch) • kg • 2.204 = lbs



3 WAY VERTICAL TEE PIECE
APEX DOWN

Series	Code	A	B	C	kg
M222	ATM 37	603,5	400	-	3,1
M290	ATB/ATV 37	742	500	-	7,2
M390	ATK/ATL 37	855	600	-	8,3

for inch (mm + 25,4 = inch) • kg • 2.204 = lbs

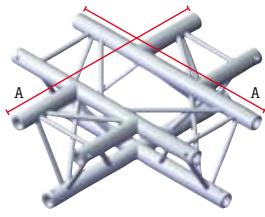


3 WAY VERTICAL TEE PIECE
APEX UP

Series	Code	A	B	C	kg
M222	ATM 37B	603,5	400	-	3,1
M290	ATB/ATV 37B	742	500	-	7,2
M390	ATK/ATL 37B	855	600	-	8,3

for inch (mm + 25,4 = inch) • kg • 2.204 = lbs

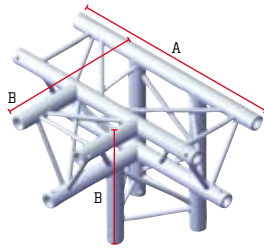
Junctions for M222/M290/M390



4 WAY CROSS PIECE

Series	Code	A	B	C	kg
M222	ACM 41	578	-	-	3,5
M290	ACB/ACV 41	710	-	-	9,6
M390	ACK/ACL 41	810	-	-	11,2

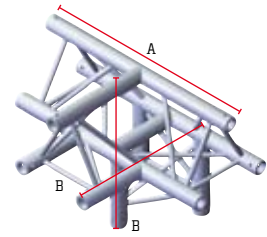
for inch (mm + 25,4 + inch) • kg • 2.204 = lbs



4 WAY TEE PIECE APEX DOWN

Series	Code	A	B	C	kg
M222	ATM 42	578	400	-	3,5
M290	ATB/ATV 42	710	500	-	9,6
M390	ATK/ATL 42	810	600	-	11,2

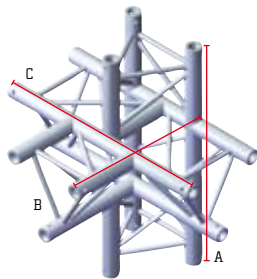
for inch (mm + 25,4 + inch) • kg • 2.204 = lbs



4 WAY TEE PIECE APEX UP

Series	Code	A	B	C	kg
M222	ATM 43	578	400	-	3,5
M290	ATB/ATV 43	710	500	-	9,6
M390	ATK/ATL 43	810	600	-	11,2

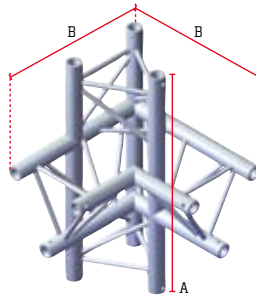
for inch (mm + 25,4 + inch) • kg • 2.204 = lbs



5WAY TEE PIECE

Series	Code	A	B	C	kg
M222	ATM 51	603,5	400	578	3,8
M290	ATB/ATV 51	742	500	710	12,0
M390	ATK/ATL 51	855	600	810	14,0

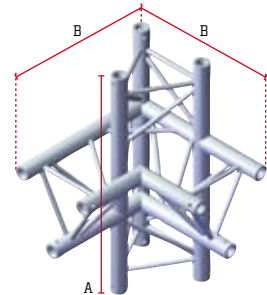
for inch (mm + 25,4 + inch) • kg • 2.204 = lbs



4 WAY CORNER 90° RIGHT

Series	Code	A	B	C	kg
M222	ACM 44	603,5	400	-	3,5
M290	ACB/ACV 44	742	500	-	9,6
M390	ACK/ACL 44	855	600	-	11,2

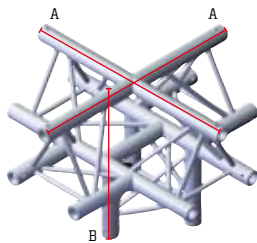
for inch (mm + 25,4 + inch) • kg • 2.204 = lbs



4 WAY CORNER 90° LEFT

Series	Code	A	B	C	kg
M222	ACM 45	603,5	400	-	3,5
M290	ACB/ACV 45	742	500	-	9,6
M390	ACK/ACL 45	855	600	-	11,2

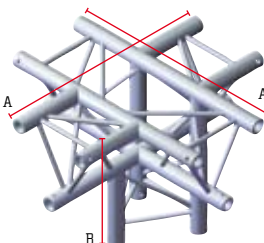
for inch (mm + 25,4 + inch) • kg • 2.204 = lbs



5 WAY CROSS DOWN LEG APEX UP

Series	Code	A	B	C	kg
M222	ACM 52	578	400	-	3,8
M290	ACB/ACV 52	710	500	-	12,0
M390	ACK/ACL 52	810	600	-	14,0

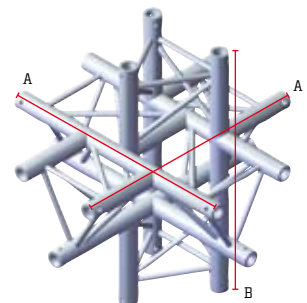
for inch (mm + 25,4 + inch) • kg • 2.204 = lbs



5 WAY CROSS DOWN LEG APEX DOWN

Series	Code	A	B	C	kg
M222	ACM 53	578	400	-	3,8
M290	ACB/ACV 53	710	500	-	12,0
M390	ACK/ACL 53	810	600	-	14,0

for inch (mm + 25,4 + inch) • kg • 2.204 = lbs

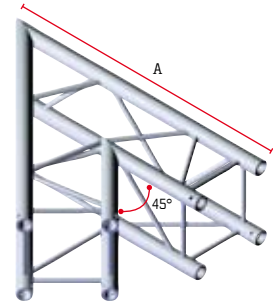
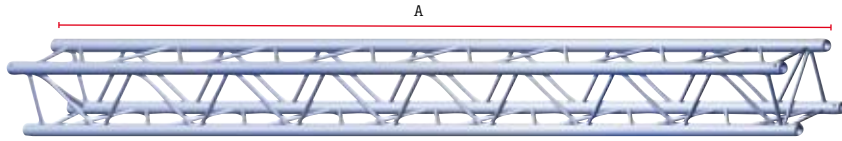


6 WAY TEE PIECE

Series	Code	A	B	C	kg
M222	ACM 61	578	603,5	-	4,5
M290	ACB/ACV 61	710	742	-	14,4
M390	ACK/ACL 61	810	855	-	16,0

for inch (mm + 25,4 + inch) • kg • 2.204 = lbs

Junctions for M222 /M290 /M390



STRAIGHTS

weight of 1 m/kg	OTM = 3,50	OTB = 5,90	OTV = 6,40	OTK = 6,50	OTL = 7,10
weight of 3,28 ft/lbs	OTM = 7,71	OTB = 13,0	OTV = 14,1	OTK = 14,3	OTL = 15,7

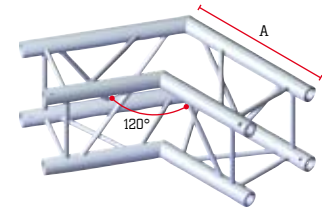
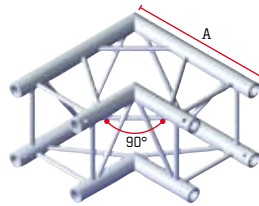
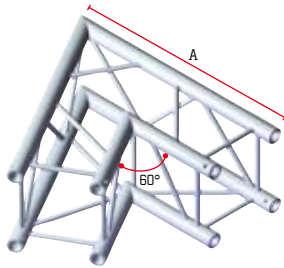
Series	Code	length m (ft)							
		0,5 (1,64)	1 (3,28)	1,5 (4,92)	2 (6,56)	2,5 (8,20)	3 (9,84)	4 (13,12)	5 (16,4)
M222	OTM	500	1000	1500	2000	2500	3000	4000	-
M290	OTB/OTV	500	1000	1500	2000	2500	3000	4000	5000
M390	OTK/OTL	500	1000	1500	2000	2500	3000	4000	5000

For Code: add range and length = OTM 500 or OTV 3000 etc.

2 WAY CORNER 45°

Series	Code	A	B	C	Kg
M222	QCM 19	800	-	-	3,5
M290	QCB/QCV 19	1000	-	-	8,1
M390	QCK/QCL 19	1200	-	-	11,2

for inch (mm + 25,4 + inch) • kg • 2.204 = lbs



2 WAY CORNER 60°

Series	Code	A	B	C	Kg
M222	QCM 20	600	-	-	3,3
M290	QCB/QCV 20	800	-	-	7,2
M390	QCK/QCL 20	1000	-	-	11,2

for inch (mm + 25,4 + inch) • kg • 2.204 = lbs

2 WAY CORNER 90°

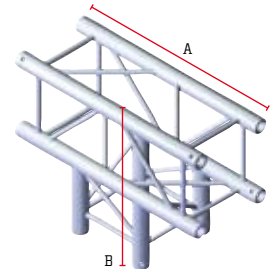
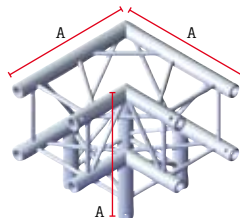
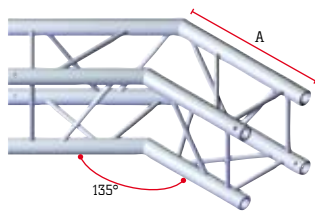
Series	Code	A	B	C	Kg
M222	QCM 21	400	-	-	3,1
M290	QCB/QCV 21	500	-	-	6,6
M390	QCK/QCL 21	600	-	-	8,9

for inch (mm + 25,4 + inch) • kg • 2.204 = lbs

2 WAYCORNER 120°

Series	Code	A	B	C	Kg
M222	QCM 22	400	-	-	3,3
M290	QCB/QCV 22	500	-	-	6,6
M390	QCK/QCL 22	600	-	-	8,9

for inch (mm + 25,4 + inch) • kg • 2.204 = lbs



2 WAY CORNER 135°

Series	Code	A	B	C	Kg
M222	QCM 23	400	-	-	3,3
M290	QCB/QCV 23	500	-	-	6,6
M390	QCK/QCL 23	600	-	-	8,9

for inch (mm + 25,4 + inch) • kg • 2.204 = lbs

3 WAY CORNER 90°

Series	Code	A	B	C	Kg
M222	QLM 30	400	-	-	4,0
M290	QLB/QLV 30	500	-	-	9,6
M390	QLK/QLL 30	600	-	-	11,4

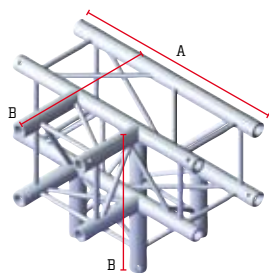
for inch (mm + 25,4 + inch) • kg • 2.204 = lbs

3 WAY TEE PIECE

Series	Code	A	B	C	Kg
M222	QTM 35	578	400	-	4,0
M290	QTB/OTV 35	710	500	-	9,6
M390	QTK/OTL 35	810	600	-	11,2

for inch (mm + 25,4 + inch) • kg • 2.204 = lbs

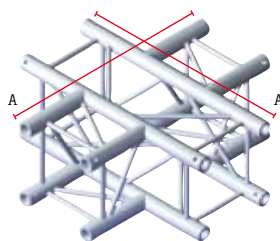
Junctions for M222/M290/M390



4 WAY TEE PIECE LEG DOWN

Series	Code	A	B	C	Kg
M222	QLM 40	578	400	-	4,4
M290	QLB/QLV 40	710	500	-	12,6
M390	QLK/QLL 40	810	600	-	14,4

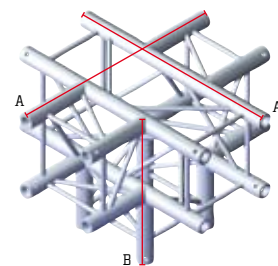
for inch (mm + 25,4 = inch) • kg × 2,204 = lbs)



4 WAY CROSS PIECE

Series	Code	A	B	C	Kg
M222	QCM 41	578	-	-	4,4
M290	QCB/QCV 41	710	-	-	12,6
M390	QCK/QCL 41	810	-	-	14,4

for inch (mm + 25,4 = inch) • kg × 2,204 = lbs)



5 WAY CROSS DOWN LEG

Series	Code	A	B	C	Kg
M222	QCM 51	578	400	-	4,9
M290	QCB/QCV 51	710	500	-	16,2
M390	QCK/QCL 51	810	600	-	18,1

for inch (mm + 25,4 = inch) • kg × 2,204 = lbs)

M290



➤ **CC B** CONICAL CONNECTOR B

Series	
M290	
M390	



➤ **PB** PIN B

Series	
M290	
M390	



➤ **PB M8** PIN B WITH THREAD M8

Series	supplied with washer and nylock nut
M290	
M390	



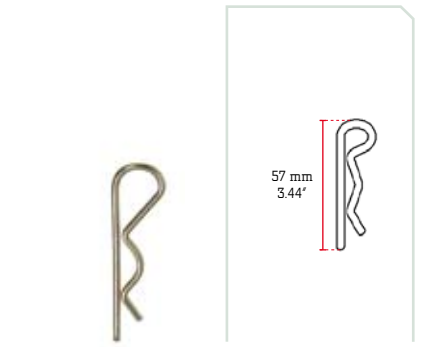
➤ **CC B M10** HALF CONNECTOR B WITH THREAD M10

Series	screw fixing not included, please order seperately if required
M290	
M390	



➤ **CC B M12** HALF CONNECTOR B WITH THREAD M12

Series	screw fixing not included, please order seperately if required
M290	
M390	



➤ **SRP B** SAFETY R CLIP B

Series	
M290	
M390	



➤ **CC BD10** SPACER B10 mm • .39"

Series	
M290	
M390	



➤ **CC BD20** SPACER B20 mm • .79"

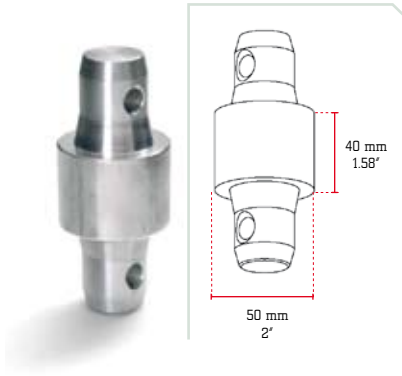
Series	
M290	
M390	



➤ **CC BD30** SPACER B30 mm • 1.18"

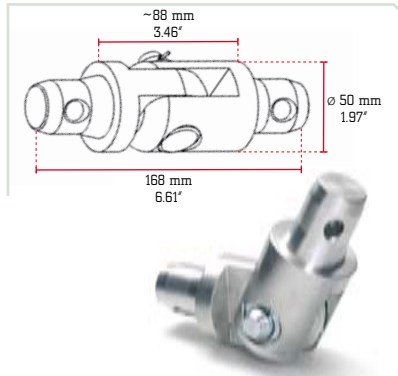
Series	
M290	
M390	

M290



➤ **CC BD40** SPACER B40 mm • 1.58"

Series	
M290	
M390	



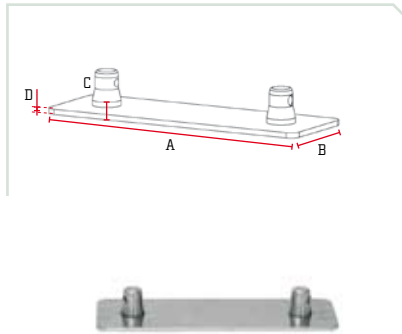
➤ **HINGE PART**

Series	4 off hinges supplied per set
M290	
M390	



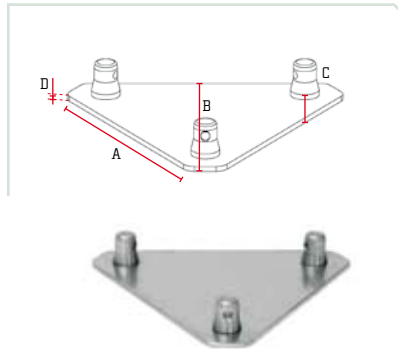
➤ **LIFTING EYE NUT M12**

Series	SWL 340 kg • 749.56 lbs
M290	Fixing bolt must be ordered separately if required
M520	required



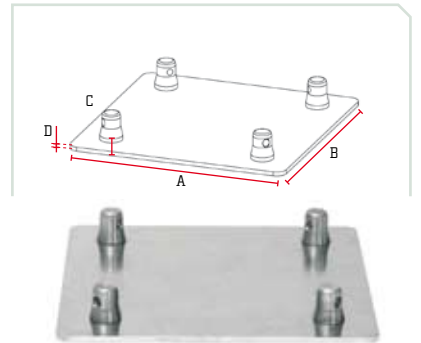
➤ **BBPDC BWPDC** BASE/WALL PLATE DUO M290 WITH HALF CONNECTORS

Series	A	B	C	D	
M290	350	110	10	5	mm
	13.78	4.33	0.39	.20	inches



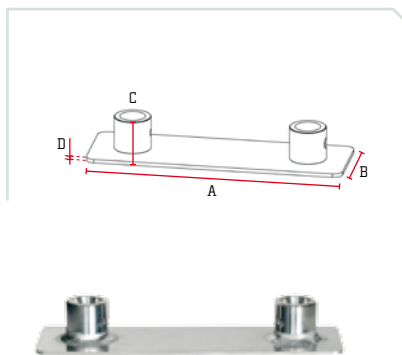
➤ **BBPTC BWPTC** BASE/WALL PLATE TRIO M290 WITH HALF CONNECTORS

Series	A	B	C	D	
M290	346	303	10	5	mm
	13.62	11.93	0.39	.20	inches



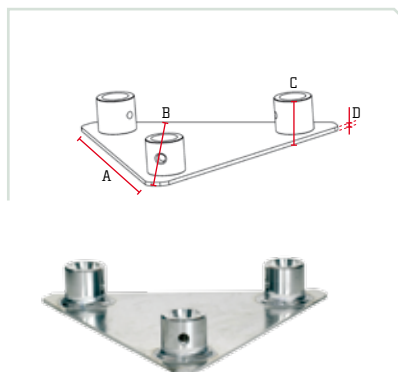
➤ **BBPQC BWPQC** BASE/WALL PLATE QUATRO M290 WITH HALF CONNECTORS

Series	A	B	C	D	
M290	350	350	10	5	mm
	13.78	13.78	0.39	.20	inches



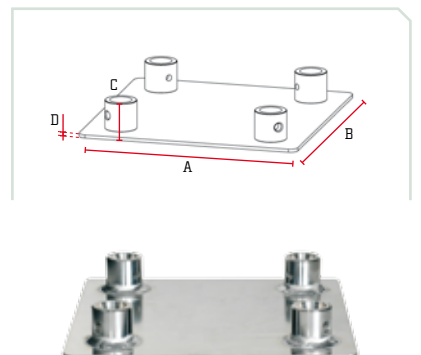
➤ **BBPD BWPD** BASE/WALL PLATE DUO M290 WITH FEMALE RECEIVERS

Series	A	B	C	D	
M290	350	110	50	5	mm
	13.78	4.33	1.97	.20	inches



➤ **BBPT BWPT** BASE/WALL PLATE TRIO M290 WITH FEMALE RECEIVERS

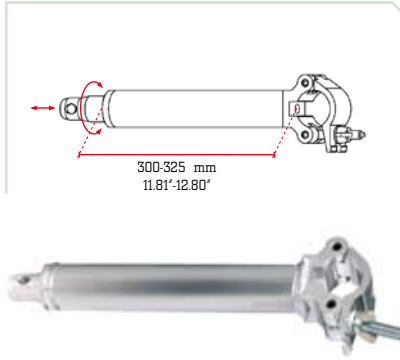
Series	A	B	C	D	
M290	348	303	50	5	mm
	13.70	11.93	1.97	.20	inches



➤ **BBPQ BWPQ** BASE/WALL PLATE QUATRO M290 WITH FEMALE RECEIVERS

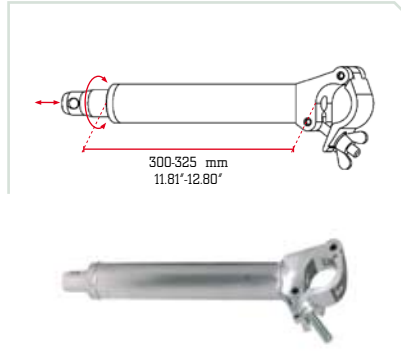
Series	A	B	C	D	
M290	350	350	50	5	mm
	13.78	13.78	1.97	.20	inches

M290



CON 03 HAND EXTENSION LONG
FOR TUBE 48-51 mm • 1.89"-2.01"

Series	
M290	
M390	



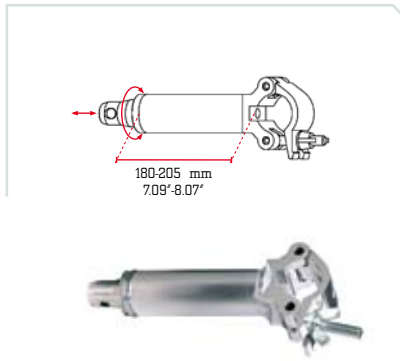
CON 01/A HOOK EXTENSION LONG
FOR TUBE 48-51 mm • 1.89"-2.01"

Series	
M290	
M390	



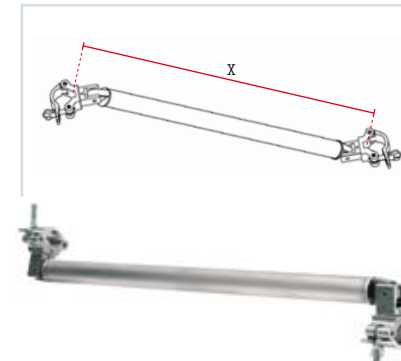
CON 02/A HOOK EXTENSION SHORT
FOR TUBE 48-51 mm • 1.89"-2.01"

Series	
M290	
M390	



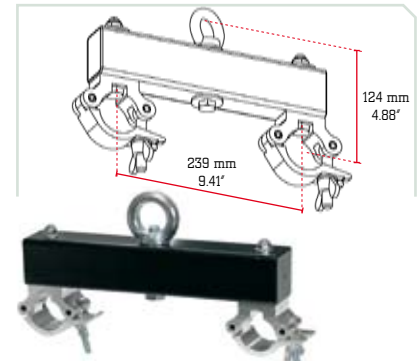
CON 04 HAND EXTENSION SHORT
FOR TUBE 48-51 mm • 1.89"-2.01"

Series	
M290	
M390	



CB D50 CORNER BRACE
VARIOUS LENGTHS

Series	
Various	



CS3B CEILING SUPPORT FOR M290
SYSTEM

Series	
M290	SWL 500 kg • 1102.3 lbs



CON25 FEMALE FITTING FOR MULTICUBE
QCB1, QCK1

Series	
M290	supplied with washer and M12x35 bolt
M390	